



BABY BALANCE BIKE

ITEM NO. KTDD1501

FOR AGES: +12 MONTHS

MADE IN CHINA

Welcome to the Bekilole family and congratulations on your child's new adventure! We are so excited that you have chosen our Bekilole baby bike to help your little one explore and grow.

KNOW YOUR BIKE

This bike is designed especially for your little one to learn, grow, and have fun all at the same time.

Here's what you need to know:

- 1. Know your baby bike:** This isn't just any ordinary bike, it's specifically designed for your baby's comfort and development.
- 2. Learn to walk:** Your baby's first steps will never be the same! With the Bekilole baby bike, they will have the support they need to take their first steps and beyond.
- 3. The perfect size:** It's not tiny, it's just the right size for your infant to ride on and off by themselves with ease. The size is critical to help keep their tiny bones healthy, so their legs won't turn into an "O" shape.
- 4. Safe turns:** The handlebar has been designed with safety in mind. It's limited to 135 degrees to prevent sharp turns and ensure your baby's safety.
- 5. Light as a feather:** Your baby will have no problem carrying their bike around, even when they've exhausted themselves from all the fun!
- 6. Comfort is key:** No more squishy butts - the padded seat will keep your little one comfortable and stylish, diaper or no diaper.
- 7. Floor-friendly:** The EVA wheels are gentle on your floors, whether you're inside or out, so you can enjoy all the fun without any of the mess.

MAINTAINANCE

Your Bekilole baby bike is designed for durability, but regular maintenance can ensure its longevity. Here are some guidelines to keep your bike in the best condition possible:

- **Smooth operator:** Make sure to use your bike on smooth surfaces to avoid wearing out the wheels too quickly.
- **Fresh treads:** If you notice the wheels looking a little worse for wear, don't worry! Just contact the original manufacturer for replacements.
- **Safety first:** For your little one's safety, always use replacement parts from the original manufacturer.
- **Clean up time:** After a day of fun in the sun (or living room), make sure to clean your bike and store it indoors. A damp cloth will do the trick!

NEVER ASKED QUESTIONS

Q: The holes in the handlebar and frame don't align. Is this a defect?

A: If the holes are misaligned, it's possible that the plastic parts are not securely in place. Follow Step 3 and push down as on both points marked in picture

Q: I am having trouble putting together my bike, can you help me?

A: Of course! Have you tried watching the installation video? If you still need assistance, feel free to contact our customer service team at service@bekilole.net

SAFETY NOTICE

Safety First: Essential Tips for Enjoying Your Baby Bike

Here are a few important safety tips to keep in mind:

- 1. Supervision is Key:** Always have a supervising adult present while your child is riding their Bekilole baby bike. Adults are responsible for teaching children how to ride safely and avoid accidents.
- 2. Protective Gear is a Must:** To reduce the risk of injury, we strongly recommend that children wear protective gear, such as a helmet, elbow pads, and knee pads, whenever they ride their baby bike.
- 3. Use on a Safe Surface:** Make sure the surface is smooth and free of hazards before allowing your child to ride their baby bike. Avoid riding near steps, swimming pools, or vehicle traffic, and never use on a hill, steep slope, or rough or uneven surfaces.
- 4. Teach Safe Riding Techniques:** Encourage your child to develop good riding habits by teaching them how to balance, steer, and stop safely.

Remember, safety is our top priority at Bekilole, and we want to make sure you and your child have a wonderful time riding your baby bike. If you have any questions or concerns, please don't hesitate to contact us at service@bekilole.com.

WARRANTY

Get More Peace of Mind with Our Free Extended Warranty!

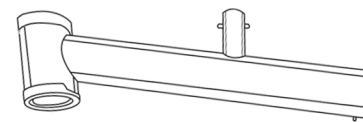
At Bekilole, we believe in our products and want you to have the best experience possible with your baby bike. That's why we're offering a FREE extended warranty to all of our customers!

To take advantage of this offer, simply register your product at bekilole.net/warranty. It's quick and easy, and it gives you an extra layer of protection for your little one's ride.

So why wait? Register now and enjoy even more peace of mind with your Bekilole baby bike!

CHILDREN MUST BE SUPERVISED BY AN ADULT WHEN PLAYING WITH THIS TOY
WARNING ADULT ASSEMBLY REQUIRED. / MAX LOAD: 44 LBS (20KGS)

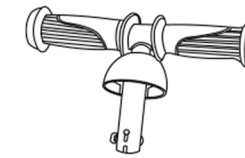
Part List



Frame



Rear Wheel



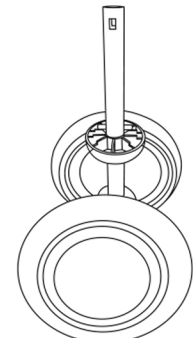
Handlebar



Chair



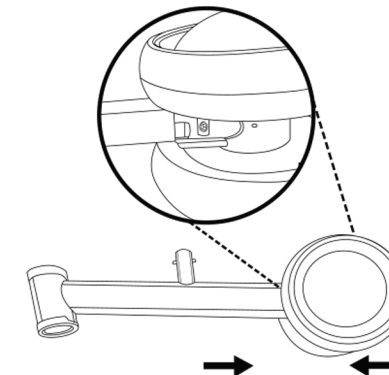
Wrench



Front Wheel

Step 1

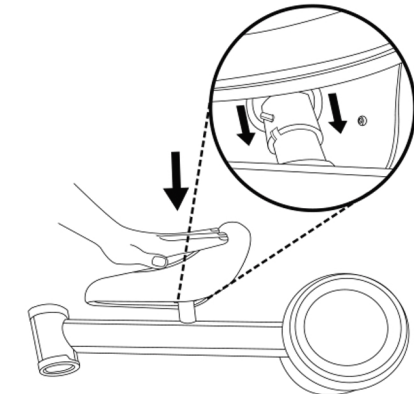
Attach the Rear Wheel



Push the wheel in until the pin clicks into place

Step 2

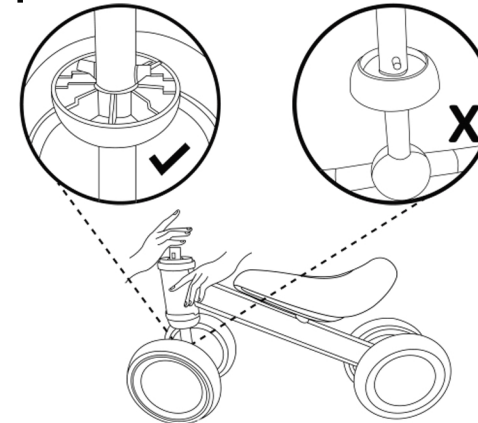
Attach the Chair



Push the chair in until the pins clicks into place

Step 3

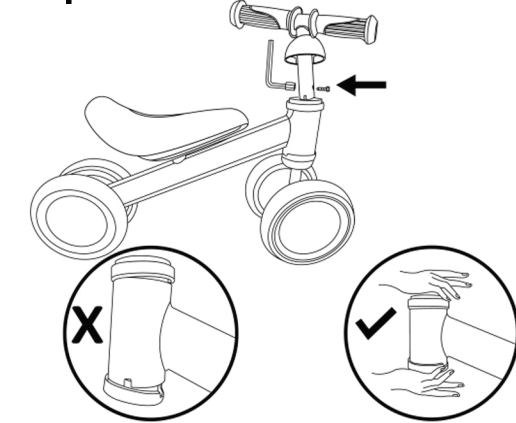
Attach the Front Wheel



Ensure the plastic part is correctly placed as above

Step 4

Attach the Handlebar

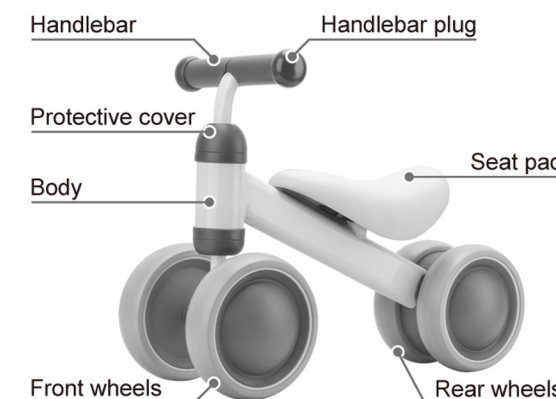


Ensure the plastic spacer is firmly in place

Warning: Gently press down on the frame and plastic part to ensure no gap

INSTALLATION VIDEO

Assembling this bike is fast and easy. Even easier after you have watched the assembly video: bekilole.net/BikeAssembly/



CUSTOMER SERVICE

We make every effort to ensure that this product reaches you in satisfactory condition. However if you have any queries, need assistance, or find this product defective, please contact our Customer Service: service@bekilole.net